



A 2001, 4001, 6001, 8001, 10K1 HI-TECH

ELECTRICAL SYSTEM

- PLC control system with color touch-screen operator interface.
- Dual speed heat transfer indexer including stepper motor, motor control, and speed adjustment dial.
- Photoelectric eye detection system with fine tune left-to-right and front-to-back image adjustment capability.
- Dual opto-touch palm button press safety control with anti-tie down, anti-repeat, and pinch point interlocks.
- Digital display solid state proportioning temperature control.
- Pure dwell timing with proximity switch sensor.
- 20 VAC input power requirement.

PNEUMATIC SYSTEM

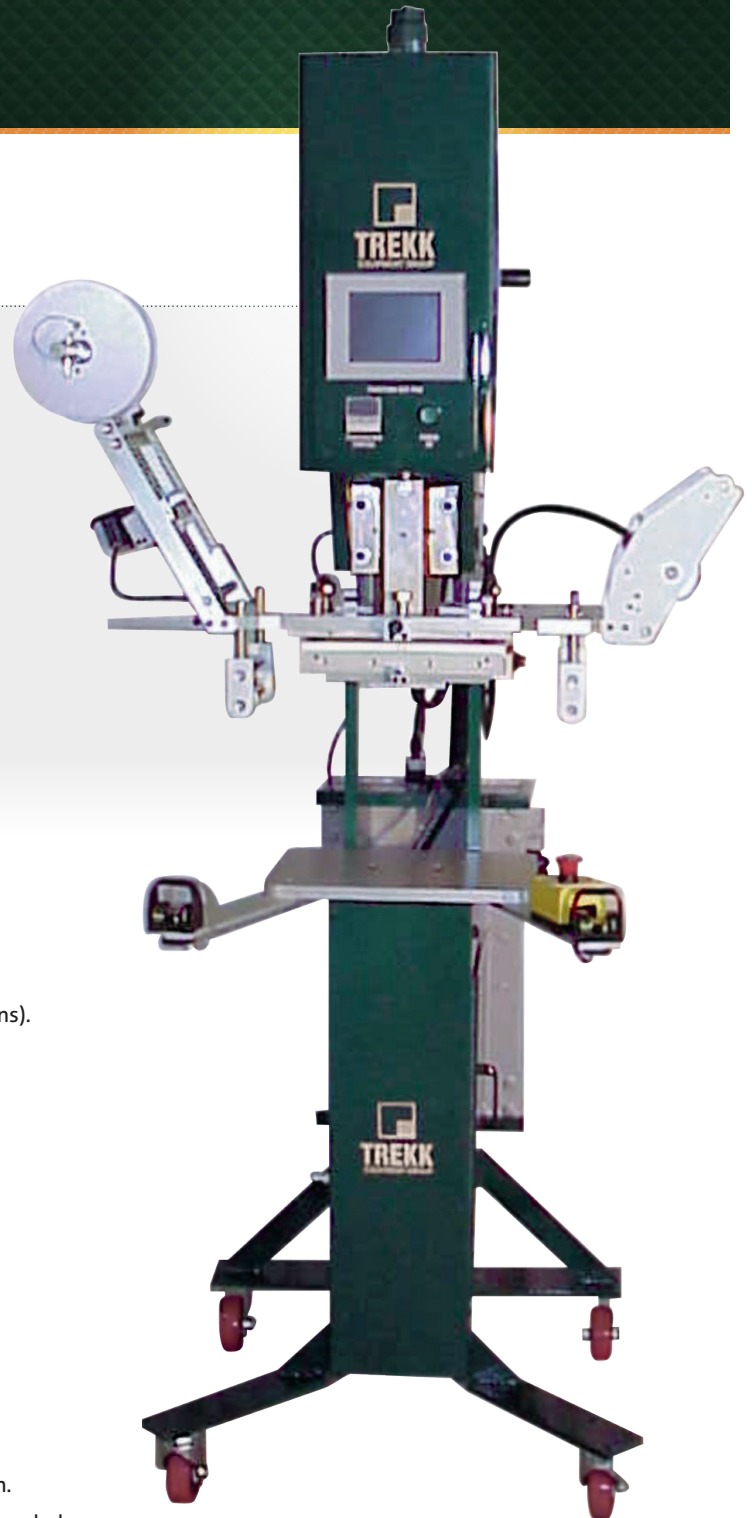
- Pneumatic powered main press cylinder.
- Fine tune penetration control on stamping cylinder.
- Flow control to provide cylinder head speed adjustment capability.
- Pneumatic regulator and gauge to control output pressure.
- Pneumatic filter unit to purify incoming air.
- Modify force output capacity by changing pneumatics only (range 1 to 5 tons).

HEATED HEAD AND WEB FEED SYSTEM

- 5" x 12" heated head with 5" x 10-1/4" imprint area.
- Quick change dovetail plate to mount die/die block.
- Four corner fine tune head leveling adjustment.
- Head daylight adjustment of 0-16 inches with ram fully extended.
- Quick change web payout and take-up systems.
- 6-inch wide web feed capacity.

EQUIPMENT SYSTEM

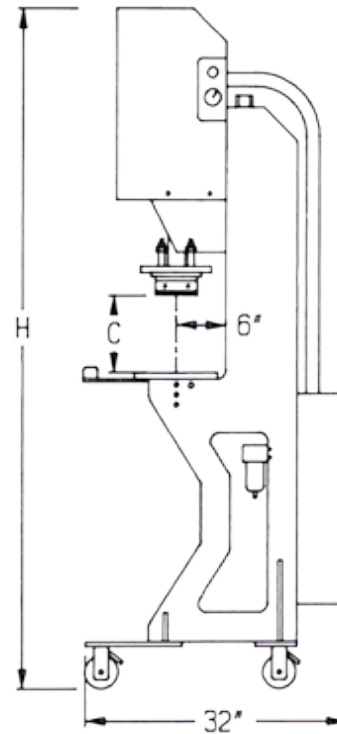
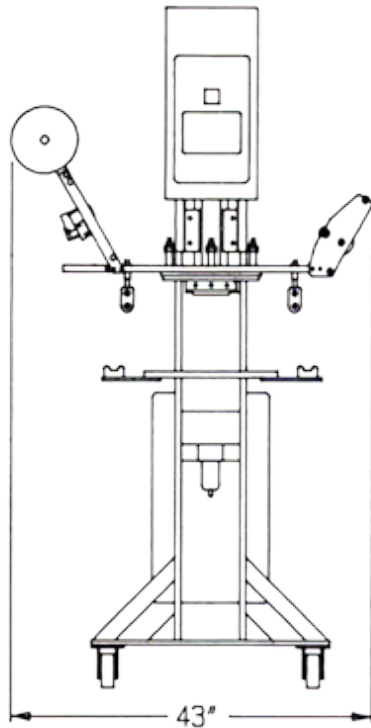
- Sturdy hot rolled solid steel support frame.
- Heavy duty precision machined steel ram with bronze vee gib guide system.
- Metal components clear anodized, electroless nickel plated, or painted as needed.
- Floor model frame with locking casters.





TREKK

EQUIPMENT GROUP



MODEL	A2001	A4001	A6001	A8001	A10001
Weight (lbs.)	510	520	530	540	550
Height (H):					
Minimum	75"	75"	77"	81.5"	86"
Maximum	91"	91"	93"	97.5"	102"
Maximum Part Clearance (C)	16"	16"	16"	16"	16"
Ram Stroke	0-3"	0-3"	0-3"	0-3"	0-3"
Work Table Size	10"x16"	10"x16"	10"x16"	10"x16"	10"x16"
Heated Head Size:					
Standard	5"x6"	5"x6"	5"x6"	5"x6"	5"x6"
Optional	5"x12"	5"x12"	5"x12"	5"x12"	5"x12"
Force Output	1 ton	2 ton	3 ton	4 ton	5 ton
Heated Head Wattage:					
5"x6" head	1500 watts	1500 watts	1500 watts	1500 watts	1500 watts
5"x12" head	2000 watts	2000 watts	2000 watts	2000 watts	2000 watts
Temperature	0-600 degrees F	0-600 degrees F	0-600 degrees F	0-600 degrees F	0-600 degrees F
Timers	.01-999 sec	.01-999 sec	.01-999 sec	.01-999 sec	.01-999 sec
Air Requirement (SCFM) on 6-Sec Cycle	5.25 SCFM @ 100 PSI	8 SCFM @ 100 PSI	10.5 SCFM @ 100 PSI	13 SCFM @ 100 PSI	15.5 SCFM @ 100 PSI
ELECTRICAL REQUIREMENTS					
Voltage	120VAC	120VAC	120VAC	120VAC	120VAC
Amperage:					
5"x6" head	13 amps	13 amps	13 amps	13 amps	13 amps
5"x12" head	17 amps	17 amps	17 amps	17 amps	17 amps